



CORDOBA 15A

User manual

Precautions

Please read, keep and follow all safety and use instructions.

Important Safety Instructions.

1. Heed all warnings.
2. Do not overload the box to avoid damage to the speakers.
3. Do not use this product near water. If the box is used outdoors, make sure that no humidity can enter the box.
4. Clean only with a dry cloth.
5. Do not block any ventilation openings. Install in accordance with the manufacturer's instructions.
6. Do not install near any heat sources such as radiators, heat registers, stoves or similar (including amplifiers).
7. Do not defeat the safety purpose of the polarized or grounding-type plug. A polarized plug has two blades with one wider than the other. A grounding-type plug has two blades and a third grounding prong. The wider blade or third prong is provided for your safety. If the provided plug does not fit in your outlet, consult an electrician for replacement of the obsolete outlet.
8. Protect the power cord from being walked on or pinched, particularly at plugs, convenience receptacles, and the point where it exits from this product.
9. Only use attachments/accessories specified by the manufacturer.



10. Use only with the cart, stand, tripod, bracket or table specified by the manufacturer or sold with the product. When a cart is used, use caution when moving the cart/product combination to avoid injury from tip-over.

11. Unplug this product during lightning storms or when unused for long periods of time.

12. Refer all servicing to qualified personnel. Servicing is required when the product has been damaged in any way such as power-supply cord or plug is damaged, liquid has been spilled or objects have fallen into the product, the product has been exposed to rain or moisture, does not operate normally, or has been dropped.

WARNINGS / CAUTIONS:



This symbol on the product means there is uninsulated, dangerous voltage within the product enclosure that may present a risk of electrical shock.



This symbol on the product means there are important operating and maintenance instructions in this guide.



This product contains magnetic material. Consult your doctor on whether this might affect your implantable medical device.



Contains small parts which may be a choking hazard. Not suitable for children under age 3.

CORDOBA 15 A is a self-powered multipurpose system with 600 W RMS, composed by one woofer of 15" and one compression driver of 1.75".



Incorporates a state-of-the-art Class-D amplifier and own DSP of very intuitive use for easy managing and absolute control, ready to plug and play. Includes factory presets and the possibility of direct equalization from its amplifier.

Extremely versatile, it can be used as conventional PA or reinforcement system, wall and ceiling installation, or as stage monitor.



Ideal for small band, orchestra, corporate events, as well as for holding events in houses of worship and leisure places, thanks to its flexibility of use.

Easy to transport thanks to its ergonomic design, its modern appearance offers a pleasant visual impact.

User guide. First steps.

1

Connect the power cord to the system. Protect it from being walked on or pinched.



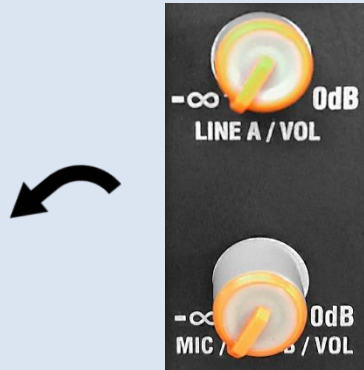
2

Connect the signal cable to either XLR, RCA or Jack connectors.



3

Make sure the gain potentiometer on any of the channels is set to minimum before turning on the system.



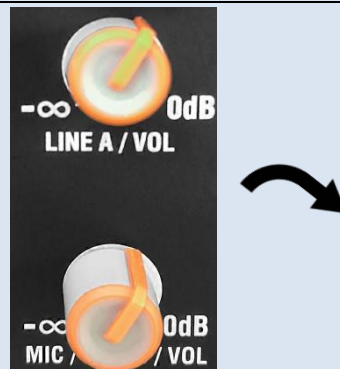
4

Turn on the system.

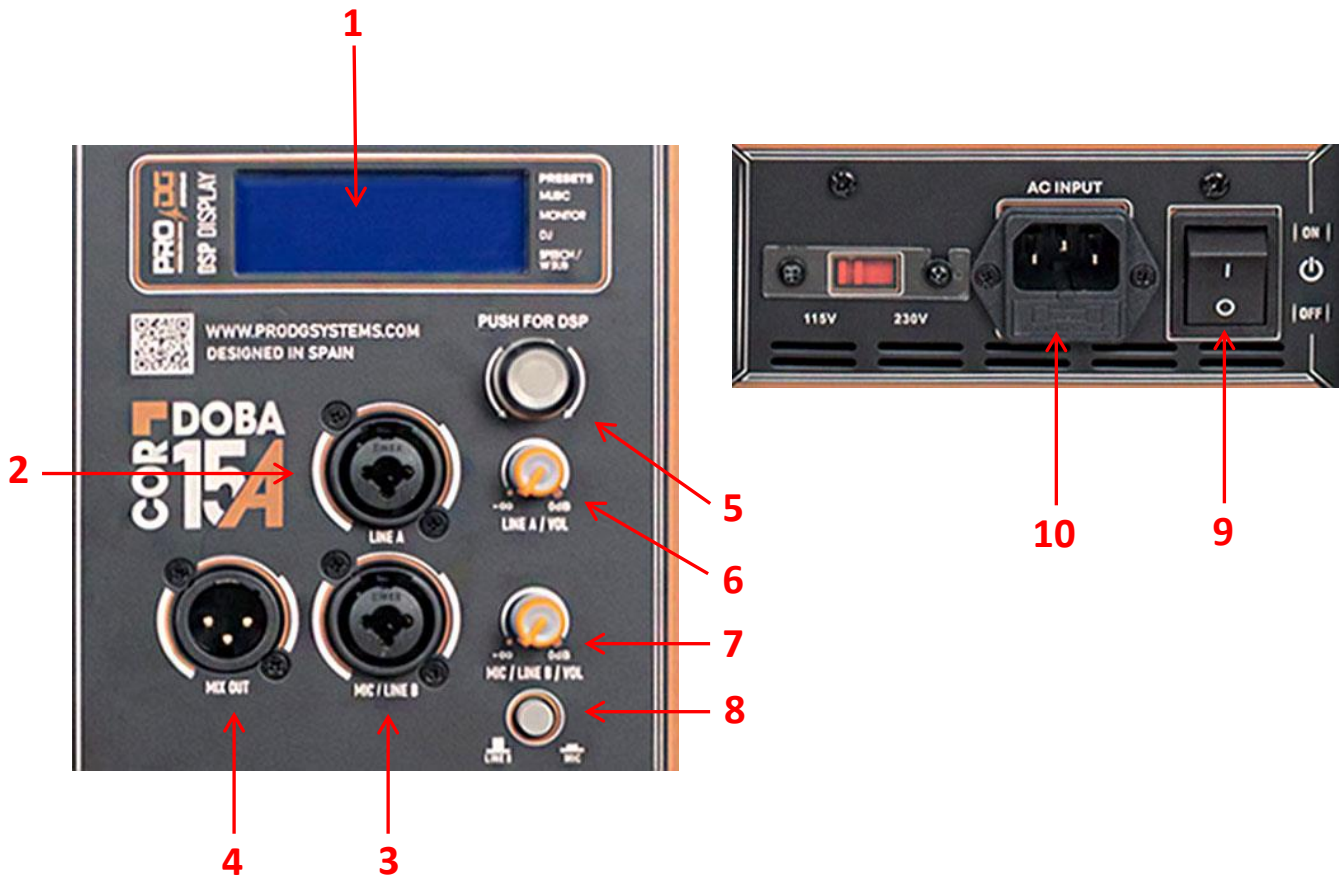


5

Adjust the gain potentiometer to the desired level. A gain of 0 to +6 dB is suggested.



Amplification and DSP.



1. LCD screen.
2. Input A - combo connector.
3. Input B - combo connector.
4. XLR output.
5. General gain control and screen navigation.
6. Input A gain control.
7. Input B gain control.
8. Line / microphone input level switch.
9. On / Off switch.
10. Power cord connector.

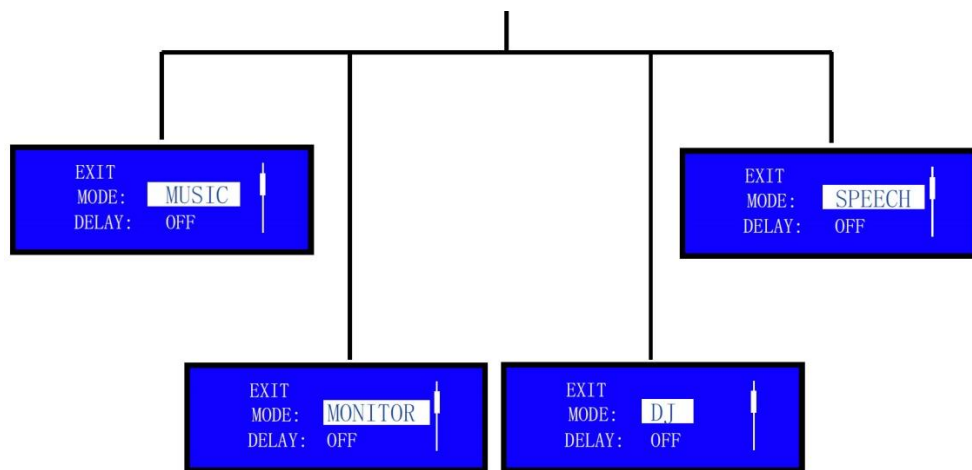
Screen Menu Navigation.

The input signal level is shown by default at the main screen, as well as the general gain, which can be adjusted using the general gain potentiometer (5).



To navigate through the menu press the general gain potentiometer (5) and turn it left or right to display the submenus detailed below, to access a specific submenu press the potentiometer once (5).

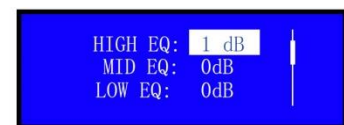
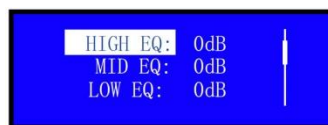
MODE (Presets): allows to select four different factory presets;



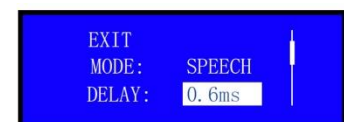
MUSIC; ideal for playing live music.
DJ; ideal for playing recorded music.

MONITOR; to use as stage monitor.
SPEECH; specific to play voice only (speeches).

EQ: allows direct equalization at the amplifier of the different channels;



DELAY: to adjust delay;



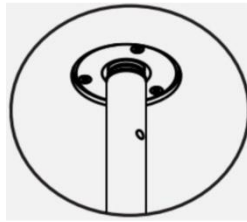
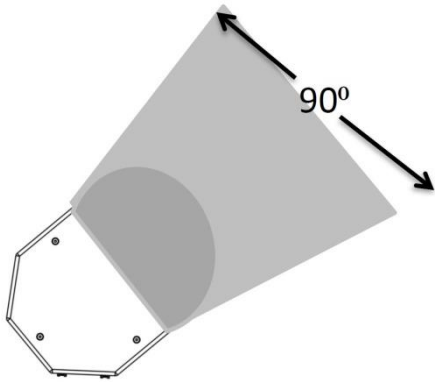
SUB: adds a frequency cut to use with subwoofer. A frequency cut of 100 Hz is recommended on the subwoofer.

LCD DIMMER, BRIGHT, CONTRAST: allows to adjust the brightness and contrast of the LCD screen.

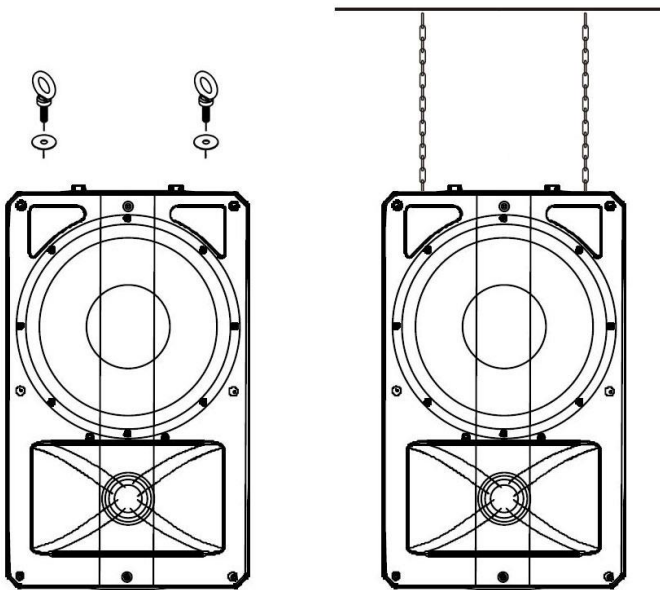
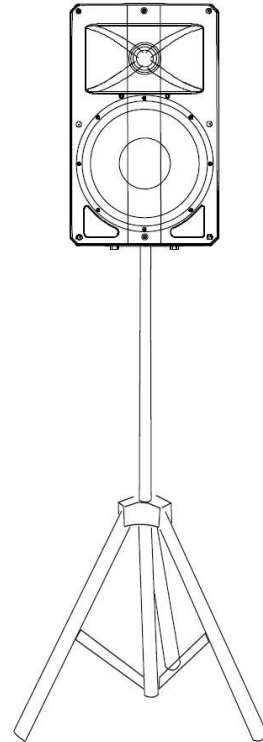
RESET: allows to return to factory settings.

EXIT: to exit the menu.

Installation examples.

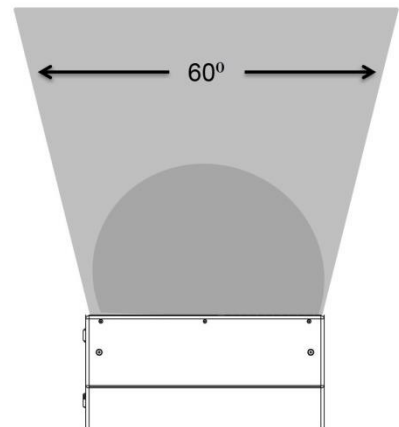
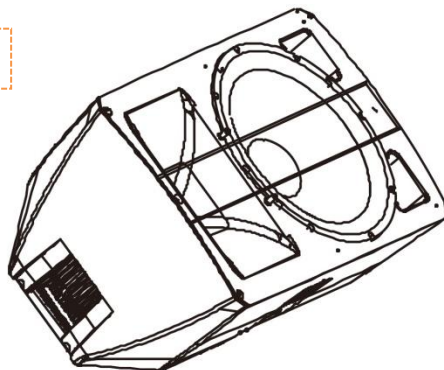


On tripod

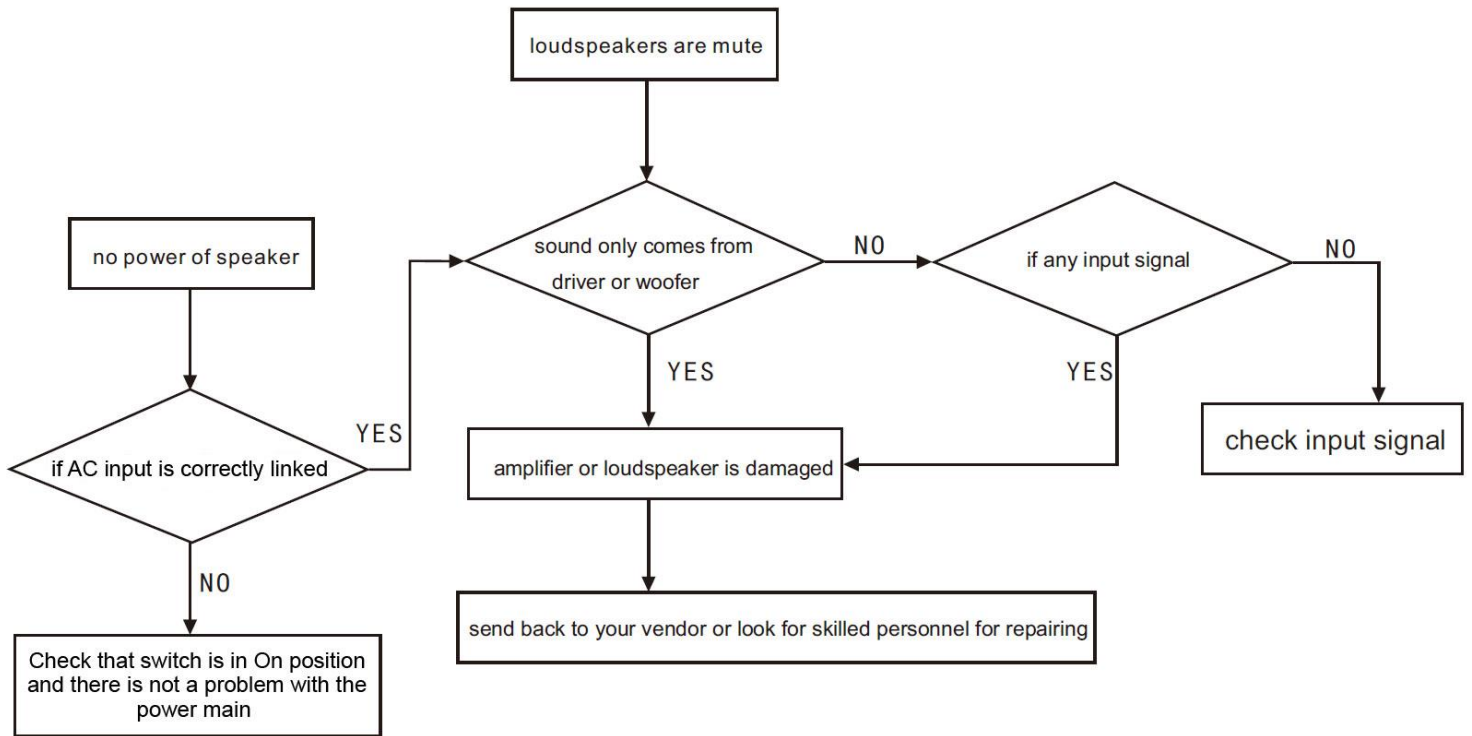


Wall or ceiling (rigging points at the bottom of the system)

Stage monitor



What to do against possible problems.



Technical datasheet.

CORDOBA 15 A

Power handling	2400 W peak / 1200 W program / 600 W RMS.
Max SPL calculation	1m / 124 dB continuous / 127 dB program / 130 dB peak.
Frequency range	45 - 18000 Hz.
Dispersion angle	90°x60°.
Components	Woofer of 15" + compression driver of 1.75"
Amplifier	State-of-the-art Class-D. 1 x 550 W @ 4 Ohm + 1 x 100 W @ 4 Ohm. Four factory presets. Surge protection up to 264 V AC, output protection against overload, clip, limiter.
Connectors	2 XLR / Jack input channels with microphone and line switch + XLR Link.
Controls	On / off switch, master volume, line / mic switch, independent channel equalization.
Power supply	115~230V 50/60HZ with voltage switch
Rigging points	2 x M8 (located at the bottom)
Dimensions (Height x Width x Depth)	695 x 420 x 380 mm (27,36 x 16,53 x 14,96 in)
Weight	20 Kg (44,09 lbs) net / 21,5 Kg (47,40 lbs) with packaging





CORDOBA 15A

PRO DG SYSTEMS INTERNATIONAL

P.I. Santa Bárbara. C/ Aceituneros nº 5.
41580 Casariche (Sevilla), Spain
Tel: +34 954 011 095
Cel: +34 678 548 947
export@prodgsystems.com
info@prodgsystems.com
www.prodgsystems.com

PRO DG SYSTEMS AMERICA

P1225 NW 93rd CT
Doral, FL, 33172
Español: (786)-715-4705
English: (786) 314-1856
sales@prodgamerica.com
www.prodgamerica.com